



PH: 800-791-8117
 FAX: 403-275-5928
 Web: www.tapmaster.ca
 E-mail: info@tapmaster.ca



CSA-B125.1-18
 ASME A112.18.1-2018
 NSF/ANSI 61-2016
 NSF/ANSI 372-2016



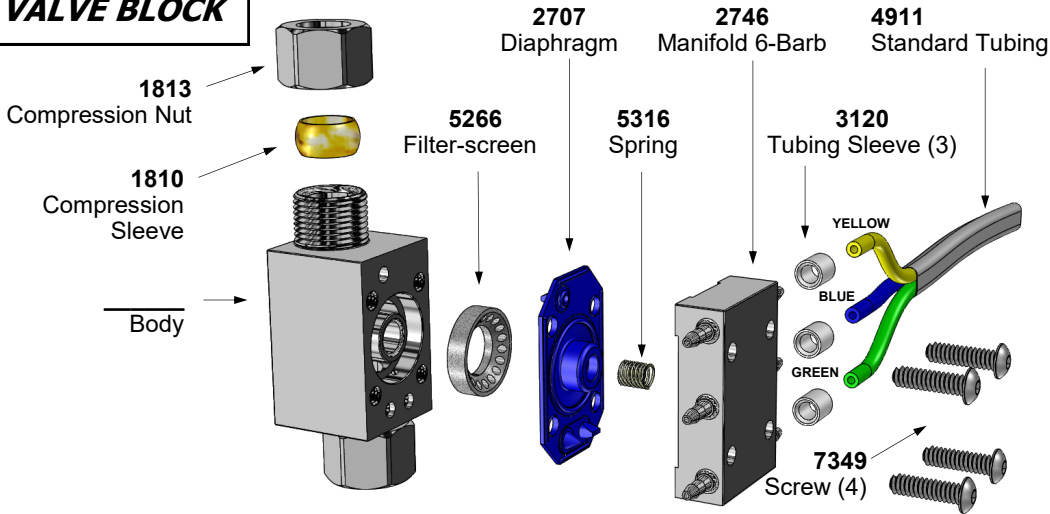
SERVICE INSTRUCTIONS & PARTS LIST (ALL MODELS)

TROUBLESHOOTING			
Symptom	Solution 1	Solution 2	Solution 3
Faucet is dripping	Turn off the cold water supply line to the faucet. If the dripping stops, service or replace the valve block on the cold water line. See below for valve block service procedure.	Turn off the hot water supply line to the faucet. If the dripping stops, service or replace the valve block on the hot water line. See below for valve block service procedure.	Pinch off the yellow tube between the pilot/actuator valve and the first valve block with pliers (DO NOT CRUSH). If dripping stops replace the pilot/actuator valve.
Water flow is slow to shut off or will not shut off	Turn off the hot and cold water supply line to the faucet. Disconnect the green tube from the valve block on the COLD WATER side. Slowly turn on the cold water, using a container to catch the water which should flow in a steady stream from the green line. If there is no flow or poor flow, service the cold water valve block (see below). If flow is good, proceed to the next solution.	Turn off the hot and cold water supply line to the faucet. Disconnect the green tube from the valve block on the HOT WATER side. Slowly turn on the hot water, using a container to catch the water which should flow in a steady stream from the green line. If there is no flow or poor flow, service the hot water valve block (see below). If flow is good, proceed to the next solution.	Ensure green tubes from valve blocks are reconnected following solutions 1 and 2. With the hot and cold water still turned off, disconnect the blue tube coming from the pilot/actuator valve from the first valve block. Slowly turn on the water supply to the faucet, once again using a container to catch water, and check the flow from the blue tube. If there is no flow or poor flow, replace the pilot valve.
Water flow is very slow to turn on or will not turn on	Ensure that the pilot valve is in contact with the activation mechanism of your model by removing the top of the valve housing (top plate, euro cap, etc.) and operating the top black button by hand. If the water flows, you will need to adjust the mechanism to ensure good contact.	Turn off the hot and cold water supply. Disconnect the blue tube coming from the pilot/actuator valve at the first valve block. Slowly turn on the water and check if there is steady flow from the blue tube. If flow is poor, replace the pilot valve.	With water supply to the faucet turned on, disconnect the yellow tube coming from the pilot/actuator valve at the first valve block. Using a container to catch any water, activate the Tapmaster and observe the water flow from the yellow tube. If there is no flow, replace the pilot valve. If there is a short burst of water, service the valve block (see below).
Noise from valve blocks when water is activated	Turn off the cold water supply line to the faucet. Activate the water flow with the Tapmaster. If there is noise, service the valve block on the cold water line (see below).	Turn off the hot water supply line to the faucet. Activate the water flow with the Tapmaster. If there is noise, service the valve block on the hot water line (see below).	<i>For any other troubleshooting not covered in this guide please contact Tapmaster technical support for further information.</i>

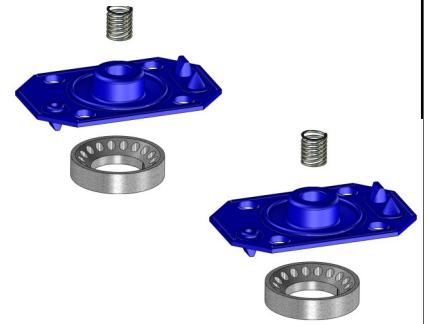
Valve Block Service Procedure:

Turn off the water supply(s) and disassemble the valve block by removing the four hex screws, take care not to lose the spring (see the illustrated breakdown). Remove the diaphragm and the filter-screen, clean all the ports in the body and manifold with vinegar or a commercial water deposit cleaner while paying particular attention to the small passages. Inspect the filter-screen and diaphragm and clean or replace as required (note: the filter-screen is a dual purpose part which functions both as a coarse screen for the main water flow and is a porous plastic with 25 micron filtration to protect the control circuits). Reassemble the valve block as per the illustrated breakdown and pay particular attention to the alignment of the body diaphragm and manifold. Take care not to crush the duck bill check valves on the diaphragm. Tighten the screws in an alternating crossing pattern. (hint: if the valve block is mounted use a little Vaseline or silicone grease to hold the spring in place).

VALVE BLOCK

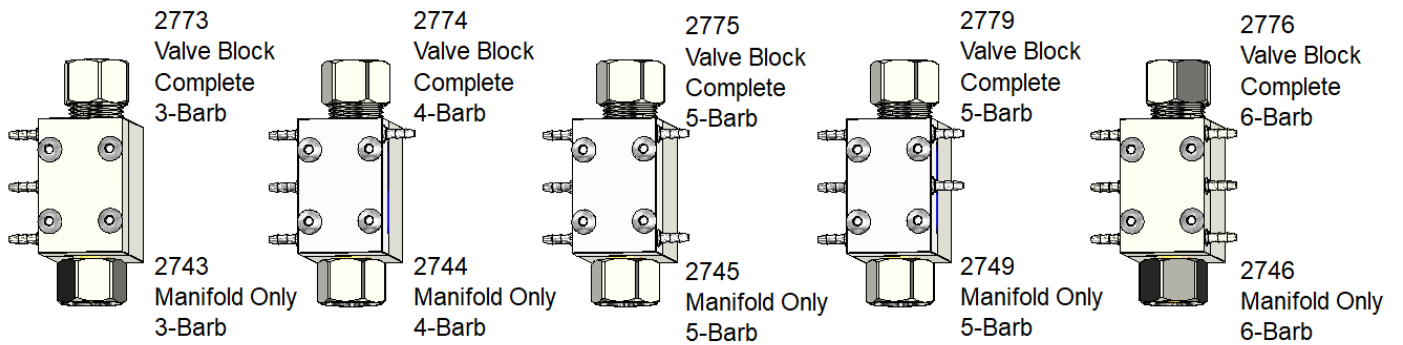


Valve Blocks Service Kit P/N 7100



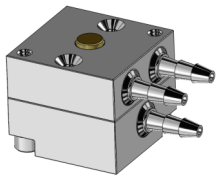
NOTE: Service Kit includes 2 pieces of each 5266 filter-screen, 2707 diaphragm and 5316 spring.

VALVE BLOCK MANIFOLD PORTING CONFIGURATIONS

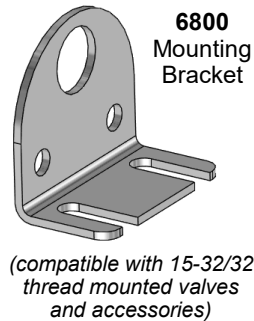
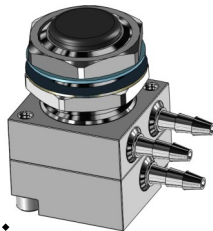


PILOT / ACTUATOR VALVES & ACCESSORIES

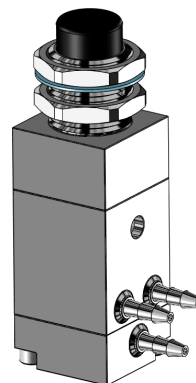
7780
Pilot/Actuator Valve Low Profile
(replaces 7750)



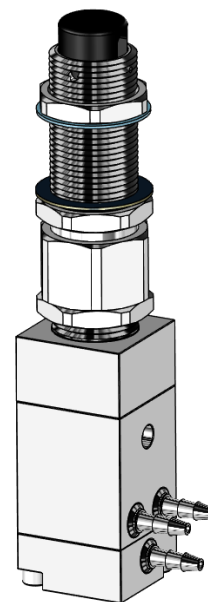
7790
Pilot/Actuator Valve Button
(replaces 7720)



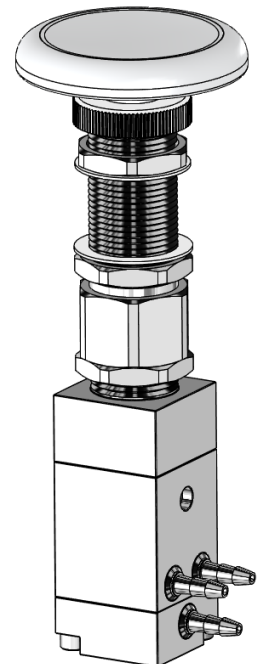
7744
Latching Pilot Valve



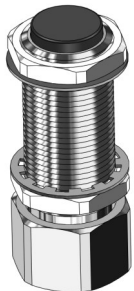
7762
Latching Valve with Bulkhead Extension



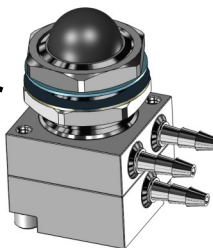
7770
Latching Valve with Bulkhead Extension and SS Button



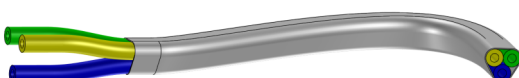
3462
Bulkhead Extension Standard



7789
Pilot/Actuator Valve Ball
(replaces 7719)



4911
Standard Tubing



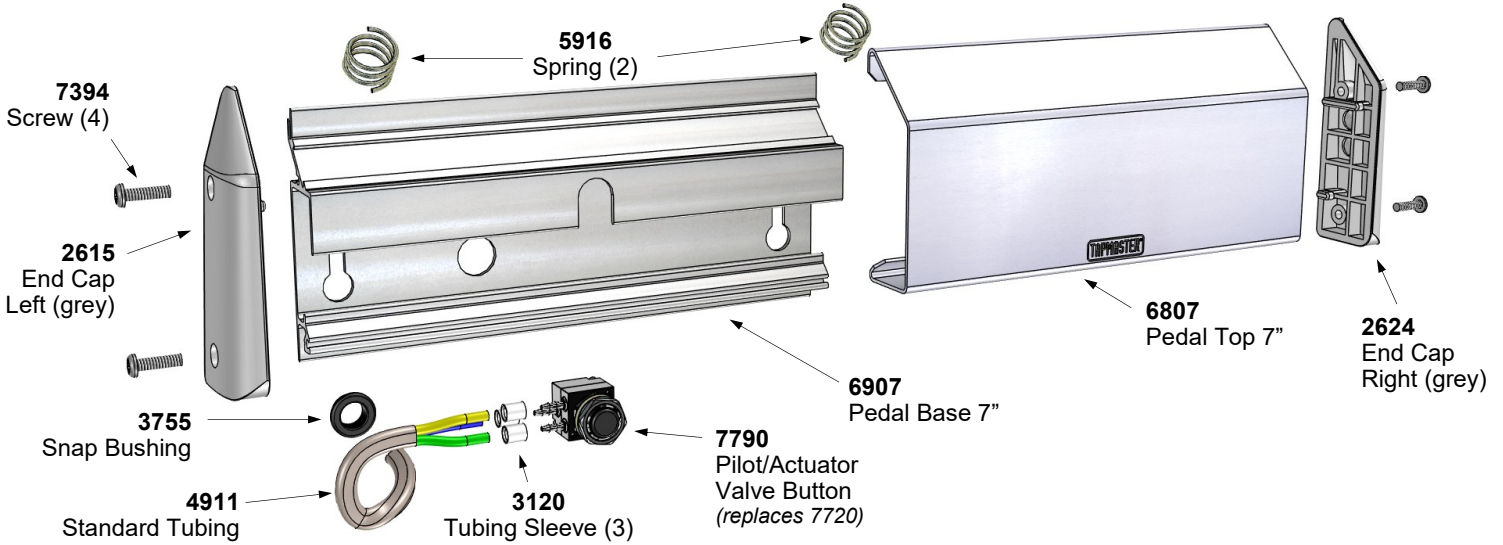
(sold by the linear foot)

4911F
Flat Tubing

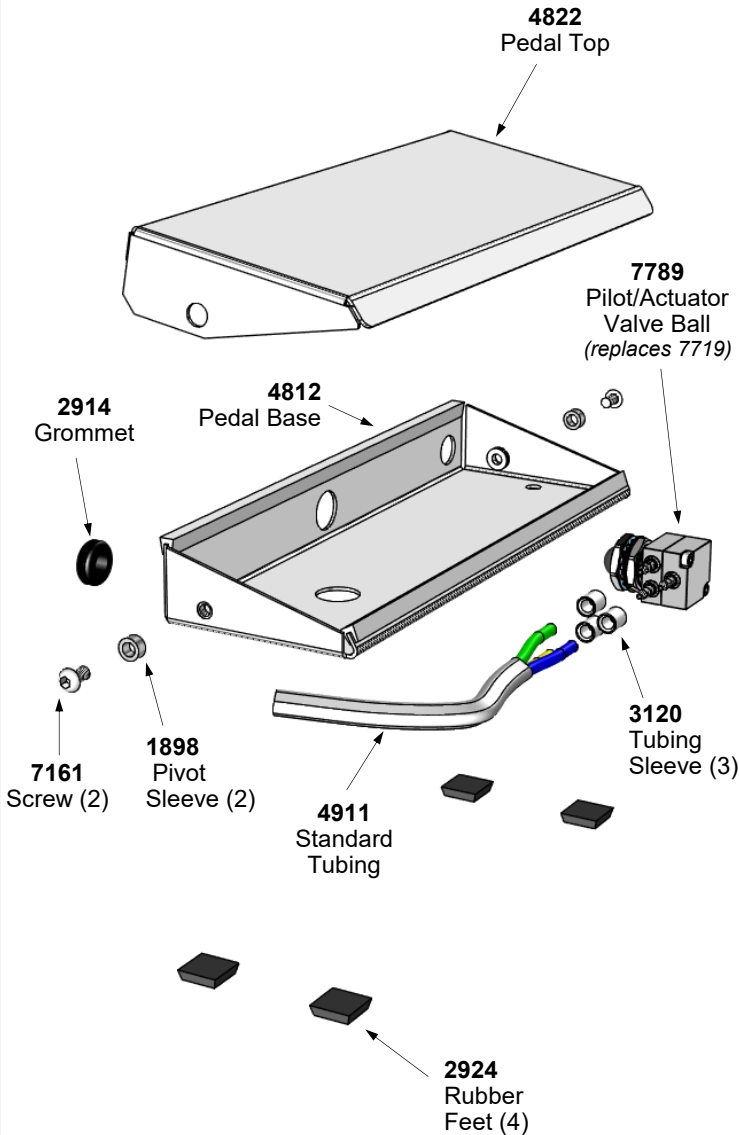


(sold by the linear foot)

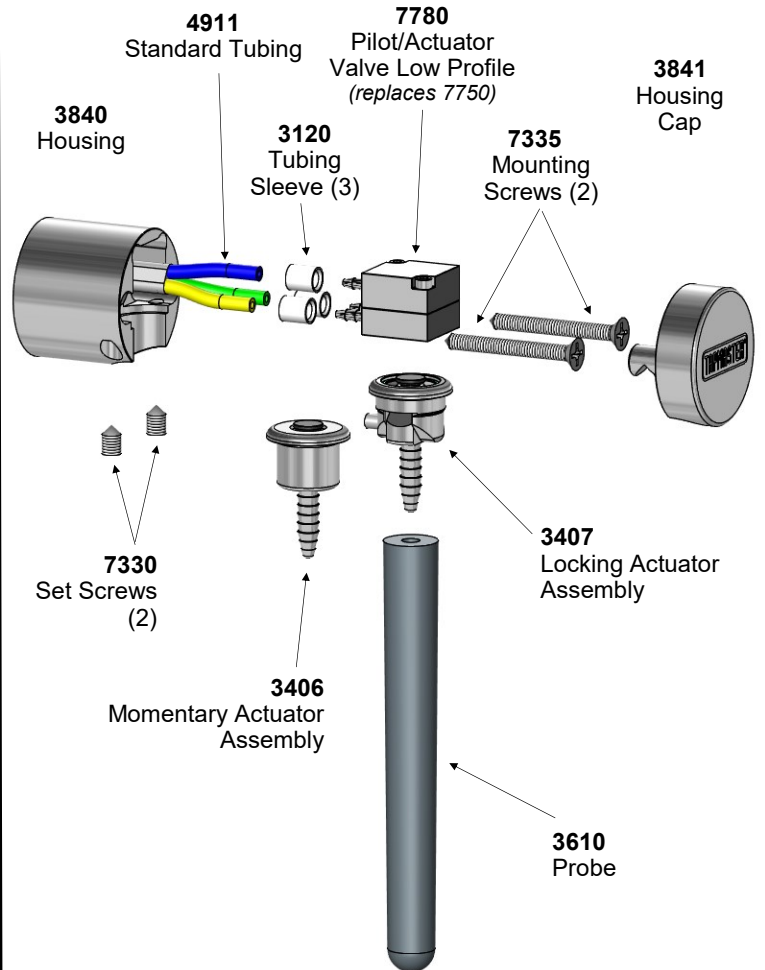
KICK PLATE
(1750 SERIES)



FOOT PEDAL
(1760 SERIES)

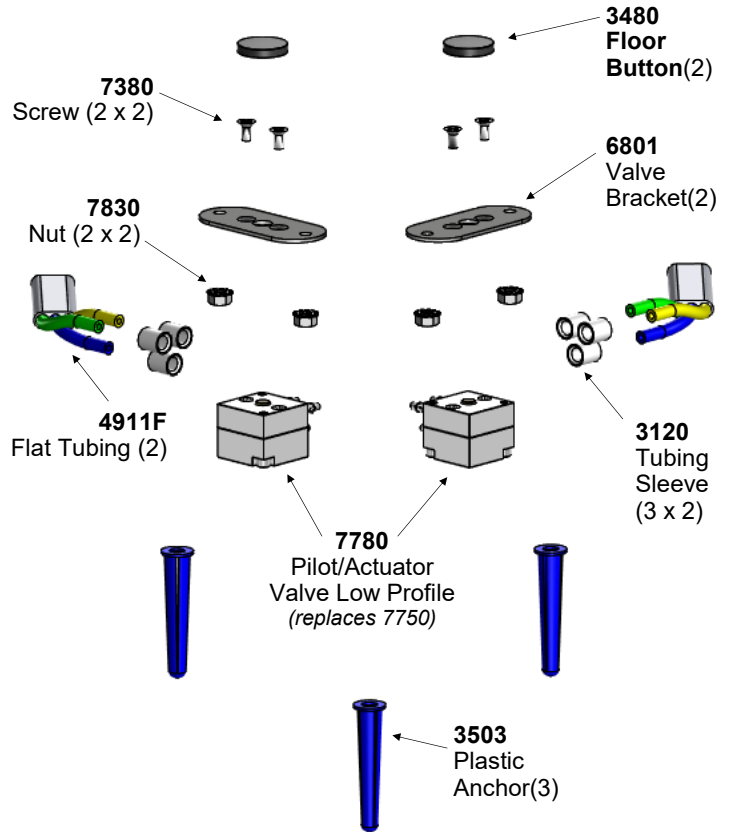
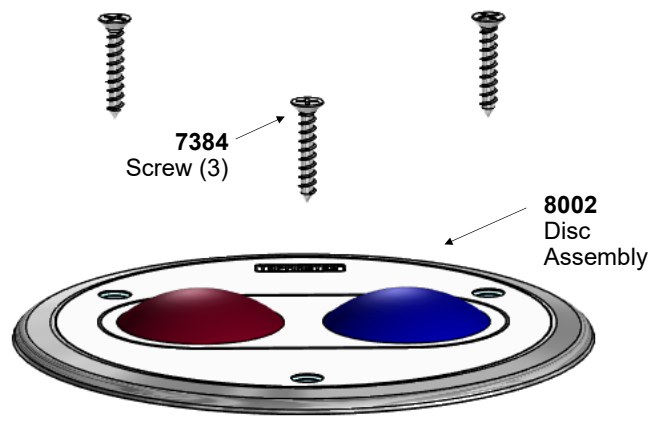
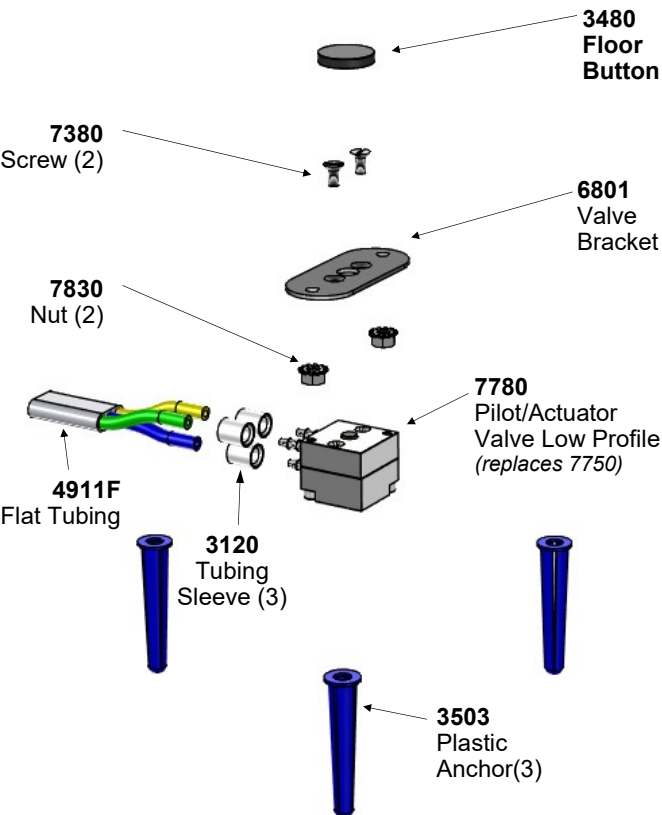
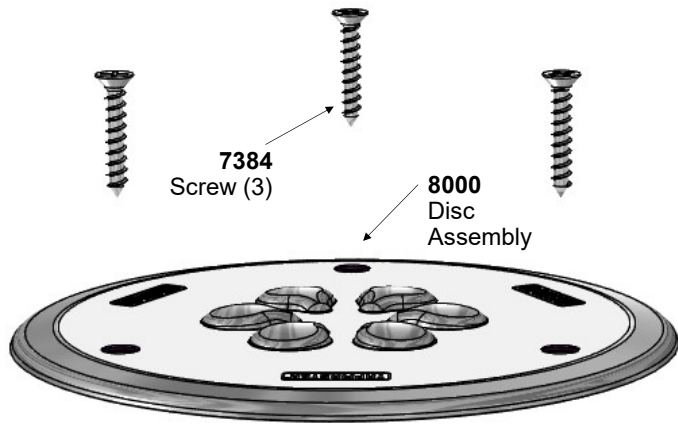


EURO FOOT ACTIVATOR
(1770 SERIES)

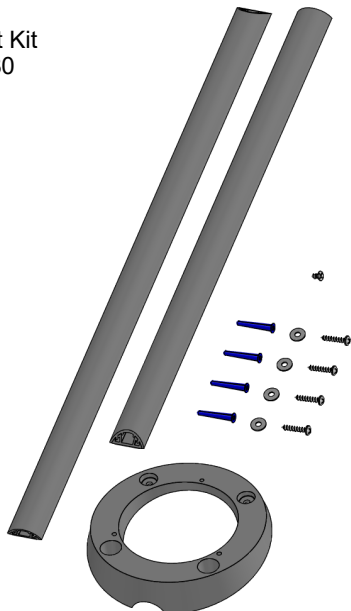


FLOOR ACTIVATOR (1780 SERIES)

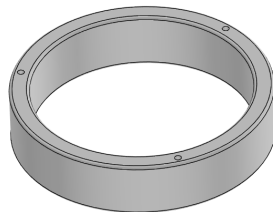
FLOOR ACTIVATOR (1786 SERIES)



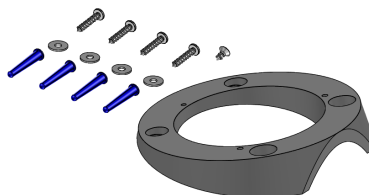
8030
Surface Mount Kit
For Model 1780



3580 In Floor PVC
Electrical Box Adapter Ring
(1780 Series)



8010 Cabinet Toe Kick
Mount Kit (1780 Series)



8050
Surface Mount Kit
For Model 1786

