



TECHNICAL SPECS (SUBMITTAL)

PATENT NUMBERS
U.S. 5,505,227, 6,254,057, 6,382,585
Canadian 2,109,684
European 0654628
International & Other Patents Pending

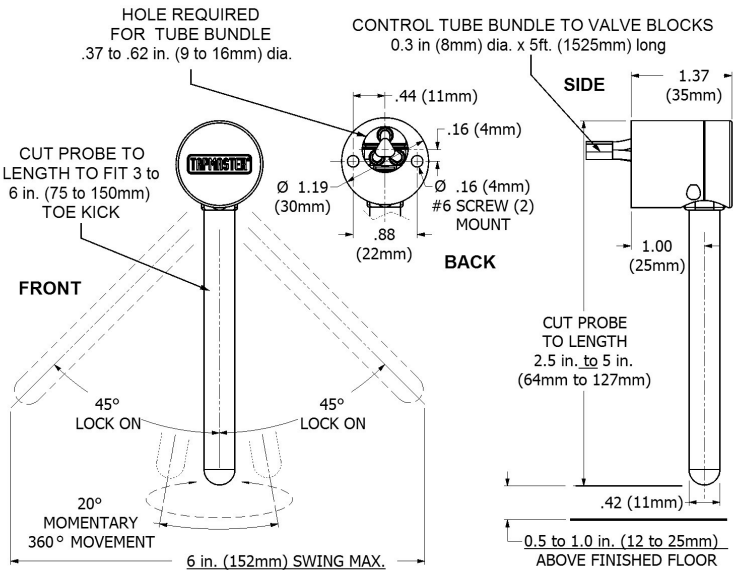
Hands Free Faucet Controllers

**applies to Models
1770, 1771, 1775 & 1776**

EURO FOOT ACTIVATED

SPECIFICATIONS

- Construction:** housing - nickel plated brass
Mechanism – stainless steel and delrin
foot probe - durable polyurethane
- Motion:** momentary version
- activation in any direction
- locking version - activation in any direction
plus locks sideways at 45 degrees in either
direction, to turn off - return activator
back to vertical rest position
- Mounting:** vertical face (i.e. - cabinet toe kick) with 2
#6 screws (supplied)
- Cabinet Styles:**

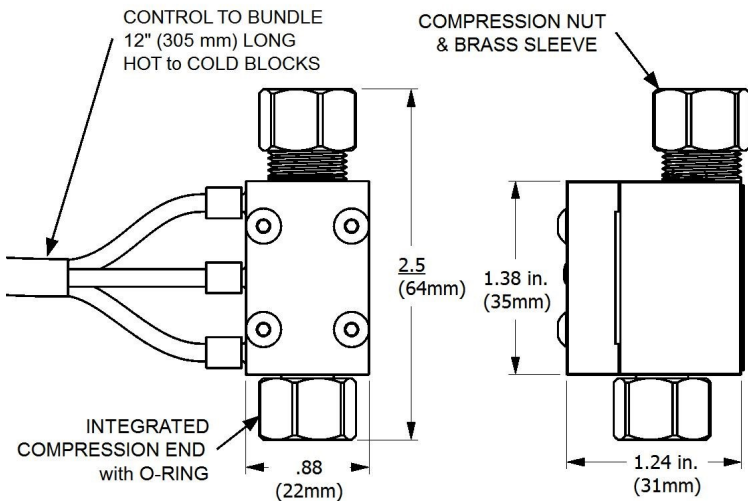


INLINE VALVE BLOCKS

Note: single valve block for models 1771 & 1776

SPECIFICATIONS

- Pressure:** operating: 0 to 125 psi (862 kpa)
max at 140°F (60°C)
static burst: 700 psi (4,830 kpa) at
72°F (22°C)
- Flow:** hot & cold blocks: 7.2 gpm @ 60 psi
(27 l/m @ 4 bar)
- Construction:** body: chrome plated brass
seals: high temperature silicone
filter and screening: polyethylene
- Filtration:** control circuit: 25 micron main
port: greater than .060" (1.5 mm)



Tapmaster Incorporated
3-1470 28th Street NE
Calgary, AB Canada
T2A 7W6



CSA-B125.1-18
ASME A112.18.1-2018
NFS/ANSI 61-2016
NFS/ANSI 372-2016



Rev. 1.0

PH: 800-791-8117
FAX: 403-275-5928
Web: www.tapmaster.ca
E-mail: info@tapmaster.ca