



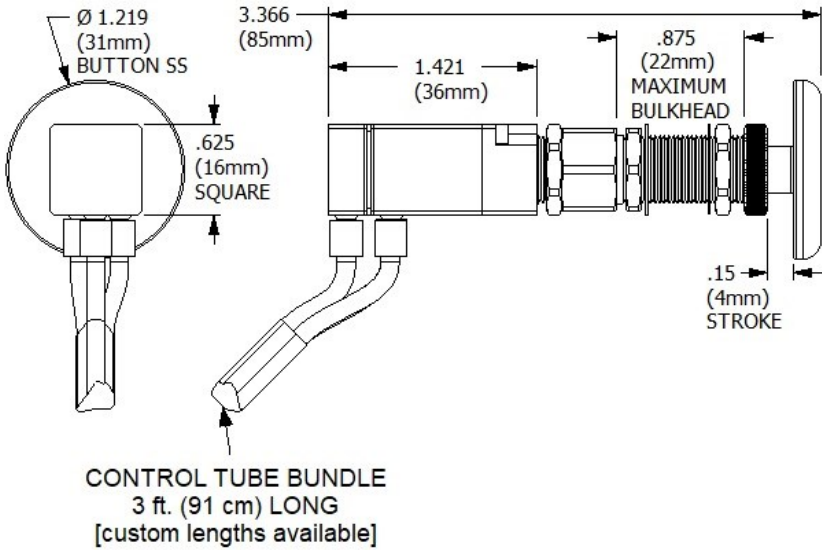
# TECHNICAL SPECS (SUBMITTAL)

PATENT NUMBERS  
U.S. 5,505,227, 6,254,057, 6,382,585  
Canadian 2,109,684  
European 0654628  
International & Other Patents Pending

## Hands Free Faucet Controllers

**For Models 1710LB & 1720LB  
(Latching)**

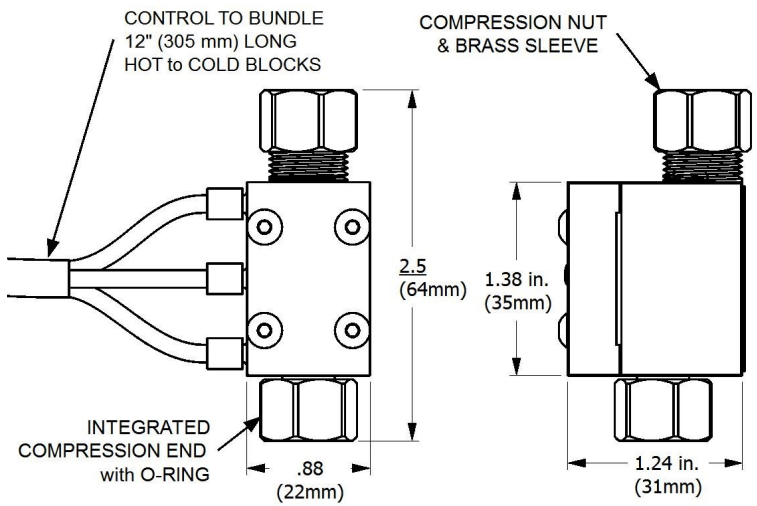
### LATCHING ACTUATOR VALVE with BULKHEAD EXTENSION and PUSH BUTTON



#### SPECIFICATIONS

- Pressure:** operating - 0 to 125 psi (862 kpa)  
max at 140°F (60°C)  
static burst - 700 psi (4,830 kpa)  
at 72°F (22°C)
- Construction:** body - chrome plated brass  
seals - nylon reinforced EPDM  
button - brushed stainless steel
- Motion:** button stroke - 0.15" (.5 mm)
- Latching Type:** push on/push off
- Mounting:** 15/31 – 32 UNF thread 15/32 hole
- Tube Bundle:** 3x1/8" high density polyurethane tubes with PVC sheath

### INLINE VALVE BLOCKS Note: single valve block for model 1710



#### SPECIFICATIONS

- Pressure:** operating: 0 to 125 psi (862 kpa)  
max at 140°F (60°C)  
static burst: 700 psi (4,830 kpa) at 72°F (22°C)
- Flow:** hot & cold blocks: 7.2 gpm @ 60 psi (27 l/m @ 4 bar)
- Construction:** body: chrome plated brass  
seals: high temperature silicone  
filter and screening: polyethylene
- Filtration:** control circuit: 25 micron main  
port: greater than .060" (1.5 mm)

Tapmaster Incorporated  
3-1470 28th Street NE  
Calgary, AB Canada  
T2A 7W6



CSA-B125.1-18  
ASME A112.18.1-2018  
NFS/ANSI 61-2016  
NSF/ANSI 372-2016



Rev. 5.0

PH: 800-791-8117  
FAX: 403-275-5928  
Web: www.tapmaster.ca  
E-mail: info@tapmaster.ca