



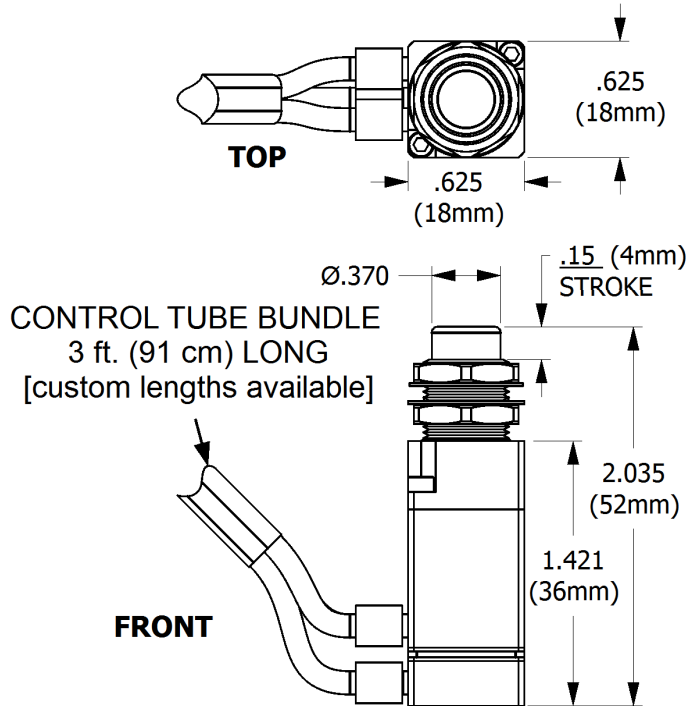
TECHNICAL SPECS (SUBMITTAL)

PATENT NUMBERS
U.S. 5,505,227, 6,254,057, 6,382,585
Canadian 2,109,684
European 0654628
International & Other Patents Pending

Hands Free Faucet Controllers

For Models 1710L & 1720L
(Latching)

LATCHING ACTUATOR VALVE

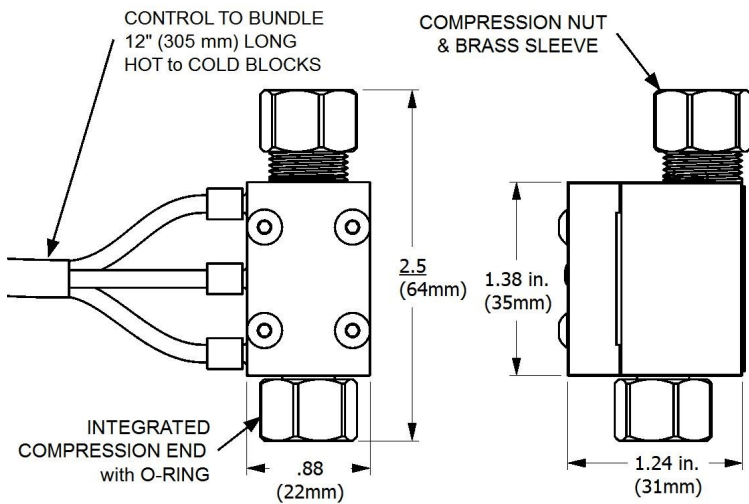


SPECIFICATIONS

- Pressure:** operating - 0 to 125 psi (862 kpa) max at 140°F (60°C)
static burst - 700 psi (4,830 kpa) at 72°F (22°C)
- Construction:** body - chrome plated brass
seals - nylon reinforced EPDM
bracket - 16 gauge stainless steel
- Motion:** button stroke - 0.15" (.5 mm)
- Latching Type:** On/Off Push Button
- Mounting:** 15/31 – 32 UNF thread 15/32 hole
- Tube Bundle:** 3x1/8" high density polyurethane tubes with PVC sheath

INLINE VALVE BLOCKS

Note: single valve block for model 1710



SPECIFICATIONS

- Pressure:** operating: 0 to 125 psi (862 kpa) max at 140°F (60°C)
static burst: 700 psi (4,830 kpa) at 72°F (22°C)
- Flow:** hot & cold blocks: 7.2 gpm @ 60 psi (27 l/m @ 4 bar)
- Construction:** body: chrome plated brass
seals: high temperature silicone
filter and screening: polyethylene
- Filtration:** control circuit: 25 micron main port: greater than .060" (1.5 mm)