



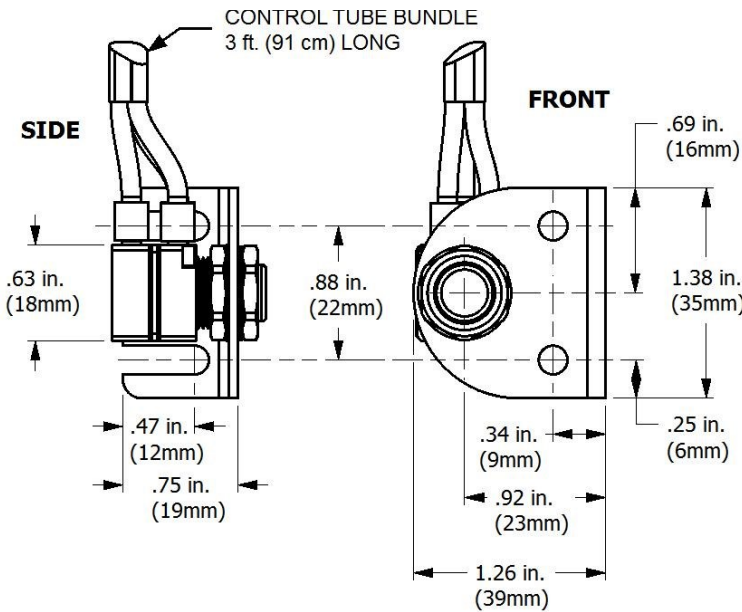
TECHNICAL SPECS (SUBMITTAL)

PATENT NUMBERS
U.S. 5,505,227, 6,254,057, 6,382,585
Canadian 2,109,684
European 0654628
International & Other Patents Pending

Hands Free Faucet Controllers

applies to Models
1710, 1720 and 1722,

CABINET DOOR ACTIVATED



SPECIFICATIONS

Pressure: operating - 0 to 125 psi (862 kpa) max at 140°F (60°C)
static burst - 700 psi (4,830 kpa) at 72°F (22°C)

Construction: body - chrome plated brass
seals - nylon reinforced EPDM
bracket - 16 gauge stainless steel

Motion: button stroke - 0.02" (.5 mm)

Mounting: 15/31 - 32 UNF thread 15/32 hole

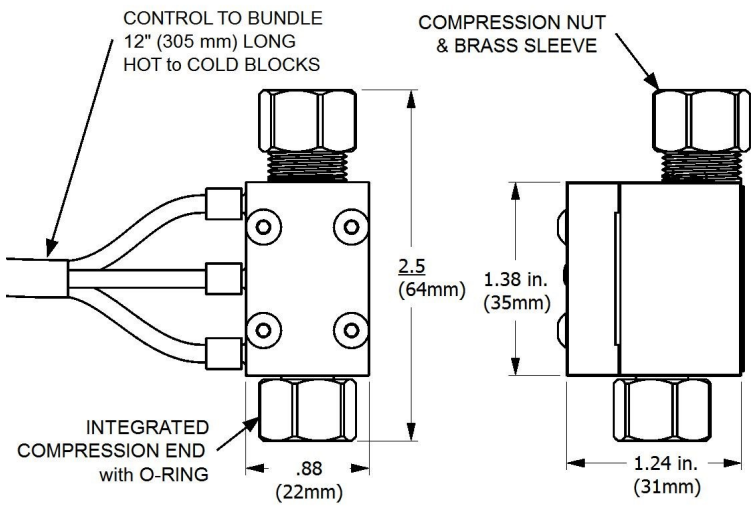
Tube Bundle: 3x1/8" high density polyurethane tubes with PVC sheath

Cabinet Styles:



INLINE VALVE BLOCKS

Note: single valve block for model 1710



SPECIFICATIONS

Pressure: operating: 0 to 125 psi (862 kpa) max at 140°F (60°C)
static burst: 700 psi (4,830 kpa) at 72°F (22°C)

Flow: hot & cold blocks: 7.2 gpm @ 60 psi (27 l/m @ 4 bar)

Construction: body: chrome plated brass
seals: high temperature silicone
filter and screening: polyethylene

Filtration: control circuit: 25 micron main
port: greater than .060" (1.5 mm)

Tapmaster Incorporated
3-1470 28th Street NE
Calgary, AB Canada
T2A 7W6



CSA-B125.1-18
ASME A112.18.1-2018
NFS/ANSI 61-2016
NSF/ANSI 372-2016



Rev. 5.0

PH: 800-791-8117
FAX: 403-275-5928
Web: www.tapmaster.ca
E-mail: info@tapmaster.ca